



AP-5DB69253AU

90cm Stainless Steel Wall Flue

Features & Benefits

Easy Cleaning

Stainless steel finish makes it easy to wipe off food splatters. Grease filters are dishwasher safe for quick cleaning.

Vision Comfort

Neutral colour lighting with wide downward illumination provides a clear work station.

Hearing Comfort

Maximum noise level as loud as refrigerator humming, provides extraction without too much noise inconvenience.

Controls

Push button controls located in front of the appliance. Remote control operation is also possible.

Stylish

Stainless steel finish provides a classic look to the kitchen.

Energy Efficient

Class A efficiency with average yearly consumption of 44kWh.

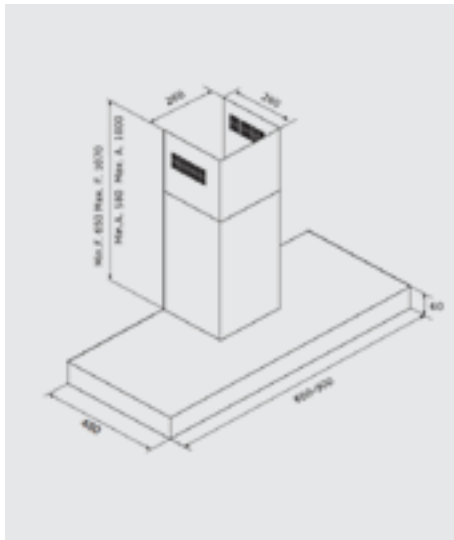
Programs

Extraction mode with 3 power levels and 1 intensive level.
Recirculation mode (requires carbon filter)

Energy Source

Electricity

Specification



Dimensions

Appliance:
H:640-1060 x W:900 x
D:398mm

Material

Grease filter: Aluminium
Surface: Stainless Steel

Finish

Stainless steel

Grease Filter

Dishwasher safe: Yes
Type: Cassette
Odour filter: Optional

Weight

Net: 13.2kg

Type

Built-in wall hood

Control

Electronic

Lighting

2.7W LED lamps x 2
Temperature: 4,000K
Illuminance: 152 lux

Extraction

Direction: Upward
Power: 560-632m³/h

Noise

Minimum: 48dB
Maximum: 58dB

Connection

- Voltage: 220-240 V
- Total connected load: 225.4 W
- Frequency: 50-60 Hz
- Installation: Built-in
- Energy Source: Electric
- Gross weight: 13.2kg
- Approval certificates: CE, RCM
- Required distance from induction hob: 600mm
- Required distance from gas hob: 600mm
- Appliance dimensions: 640-1060 x 900 x 398mm
- Installation dimension: 640-1060 x 900 x 398mm
- Exhaust air outlet area: 150 x 120mm
- Length of connection cable: 150cm
- Connection type: plug
- Position of fan: Motor in the housing
- Flow direction: Upwards
- Maximum sound power: 58dB
- Number of lamps: 2 LED lamps
- Total power of lamps: 5.4W

Accessories

