

AP-5WS16400 60cm Warming Drawer

Features & Benefits

Easy Cleaning

Anti-slip matt can be removed for cleaning.
Fully telescopic opening for easy cleaning access.

Safety Feature

Anti-slip matt to avoid unnecessary spillage inside the drawer. Internal light will switch on to indicate the appliance is turned on.

Modular

Same width as most Blaupunkt appliance and black front makes it easy to pair with other kitchen appliances.

Controls

Rotary switch located inside the drawer with 3 levels of heating.

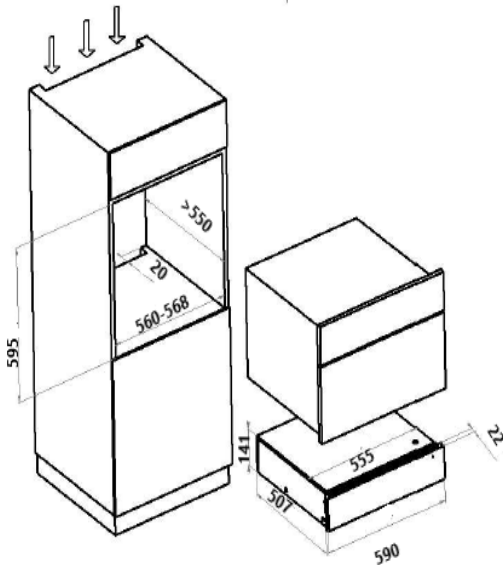
Functions

Dish pre-heating
Food warm-keeping
Defrosting frozen food

Energy Source

Electricity

Specification



Dimensions

Appliance:
H140 x W594 x D542mm
Installation:
H140 x W560-568 x
D550mm

Material

Surface: Glass plus
stainless steel

Weight

Net: 14kg

Type

Built-in, fully
telescopic drawer

Finish

Black

Heating

Fan heater with 3
levels from 30-80°C

Control

Rotary switch
Push to open

Capacity

Loading: 15kg
Volume: 20.5L

Connection

- Voltage: 220-240 V
- Total connected load: 0.4kW
- Frequency: 50/60 Hz
- Device color: Black
- Energy Source: Electric
- Approval certificates: CE, VDE, RCM
- Gross weight: 20kg
- Connecting cable: 175cm
- Plug type: Comes with replaceable AU plug

Accessories

